

# 2.5Vdc CMOS COMPATIBLE SMD CRYSTAL CLOCK OSCILLATOR



3.2 x 2.5 x 1.2m m

## ASE2 SERIES



### FEATURES:

- Compact and low in height at 1.2mm
- Low current consumption  
2mA typ. for 19.2MHz
- Tri state function
- Suitable for RoHS reflow
- Tight stability option  $\pm 20$ ppm for -40 to +85°C
- Seam sealed package assures high reliability

### APPLICATIONS:

- CCD clock for VTR camera
- Equipment connected to PC or PC cards
- Wireless communication

### STANDARD SPECIFICATIONS:

Parameters	Minimum	Typical	Maximum	Units	Notes
Frequency Range	0.625	-----	166	MHz	
Operating Temperature	-10	-----	+70	°C	STD (See options)
Storage Temperature	-55	-----	+125	°C	
Overall Frequency Stability	-100	-----	+100	ppm	See options
Supply Voltage (Vdd)	+2.375	2.5	+2.625	V	
Supply Current (Idd)	-----	2	8	mA	0.625 ~ 19.99 MHz
	-----	3	8		20 ~ 31.99 MHz
	-----	5	15		32 ~ 59.99 MHz
	-----	12	20		60 ~ 125.0 MHz
Symmetry @ 1/2Vdd	45	-----	55	%	0.625 ~ 89.999 MHz
	40	-----	60		90 ~ 125.0 MHz
Rise and Fall Time (Tr/Tf)	-----	3	5	ns	0.625 ~ 19.99 MHz
	-----	3	5		20 ~ 31.99 MHz
	-----	3	5		32 ~ 59.99 MHz
	-----	3	5		60 ~ 125.0 MHz
Output Load	-----	-----	15	pF	CMOS
Output Voltage (VOH)	0.9* Vdd	-----	-----	V	
Output Voltage (VOL)	-----	-----	0.1* Vdd	V	
Start-up Time	-----	0.6	3	ms	0.625 ~ 19.99 MHz
	-----	0.6	3		20 ~ 31.99 MHz
	-----	0.6	3		32 ~ 59.99 MHz
	-----	1.3	2		60 ~ 125.0 MHz
Tri-state function	"1" (VIH $\geq$ 0.7*Vdd) or Open: Oscillation; "0" (VIL<0.3*Vdd) : Hi Z				
RMS Jitter:	-----	2	5	ps	0.625 ~ 19.99 MHz
	-----	2	5		20 ~ 31.99 MHz
	-----	2	5		32 ~ 59.99 MHz
	-----	2	5		60 ~ 125.0 MHz
Aging at 25°C (first year)	-5	-----	+5	ppm	
Stand-by Current:	-----	-----	10	$\mu$ A	

### OPTIONS & PART IDENTIFICATION:

(Left blank if standard)

ASE2 -  MHz -  -  -

Frequency in MHz
e.g. 0.625MHz
24.576MHz
14.31818MHz
26.000MHz
200.000MHz

Operating Temp.
I: 0°C ~ +50°C
D: -10°C ~ +60°C
E: -20°C ~ +70°C
F: -30°C ~ +70°C
N: -30°C ~ +85°C
L: -40°C ~ +85°C

Overall Freq. Stability
J(*): $\pm 20$ ppm
R: $\pm 25$ ppm
K: $\pm 30$ ppm
H: $\pm 35$ ppm
B: $\pm 40$ ppm
C: $\pm 50$ ppm

Packaging
Blank: Bulk
T: 1000pcs/Reel

Contact ABRACON for wider temperature range.

\*: Temp options I, D, E, and -10°C to +70°C only

ABRACON IS  
ISO9001:2008  
CERTIFIED



**ABRACON**  
CORPORATION

Visit [www.abracon.com](http://www.abracon.com) for Terms & Conditions of Sale  
30332 Esperanza, Rancho Santa Margarita, California 92688  
tel 949-546-8000 | fax 949-546-8001 | [www.abracon.com](http://www.abracon.com)

Revised: 06.29.11

# 2.5Vdc CMOS COMPATIBLE SMD CRYSTAL CLOCK OSCILLATOR

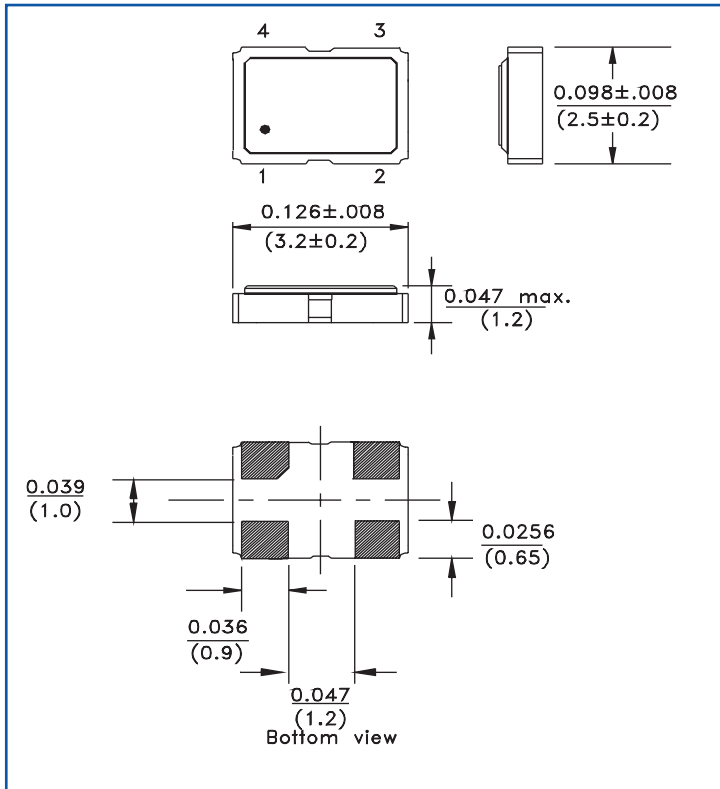


3.2 x 2.5 x 1.2mm

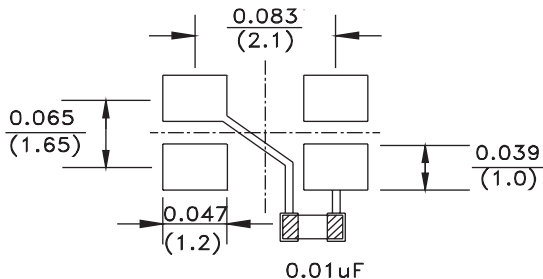
ASE2 SERIES



## ➤ OUTLINE DRAWING:



### Recommended land pattern



### Note:

1. The outline package configuration varies with frequency range. Electrical properties, pin configuration, and land pattern are the same.
2. Recommend using an approximately  $0.01 \mu F$  bypass capacitor between Pin 2 and 4.

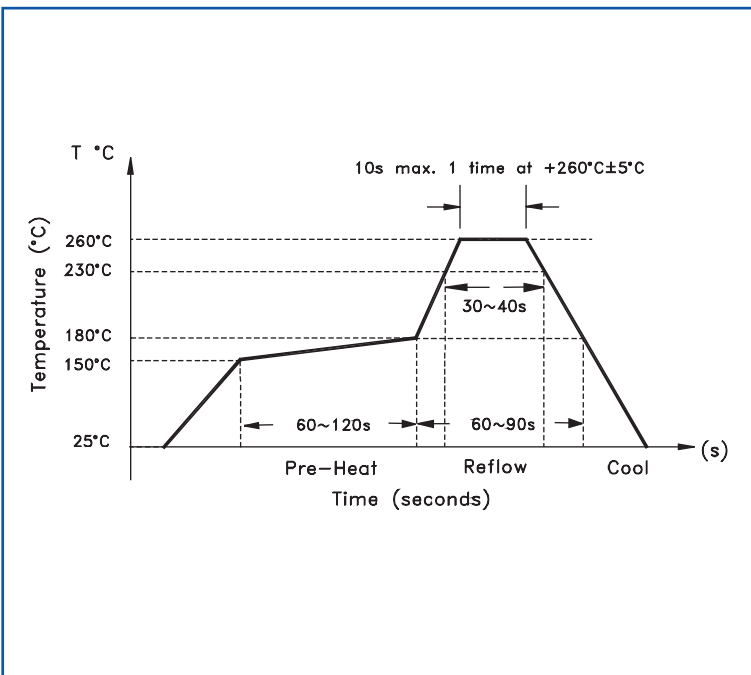
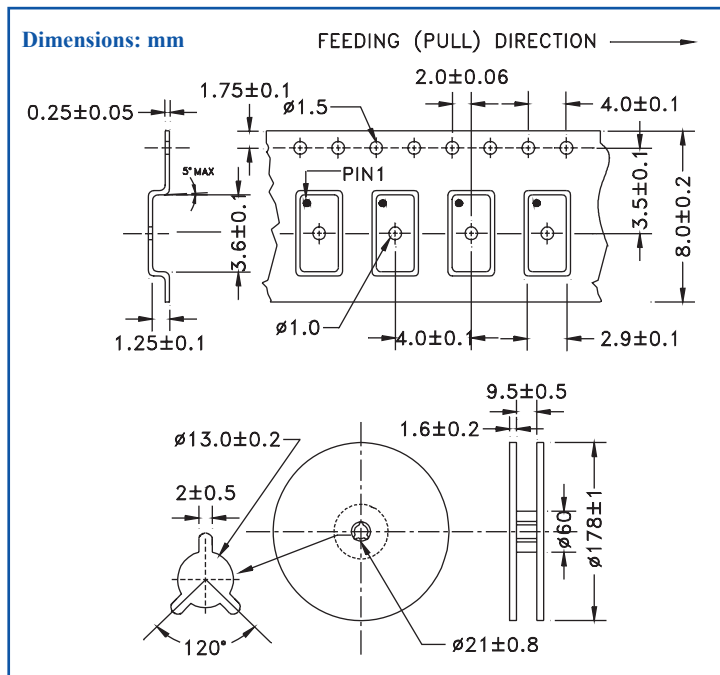
PIN	FUNCTION
1	Tri-state
2	GND/Case
3	Output
4	Vdd

Dimensions: Inches (mm)

## ➤ TAPE & REEL

Tape and reel 1,000pcs/reel

## ➤ REFLOW PROFILE



Need a test socket for the ASE2 Series? To view compatible **PRECISION TEST & BURN-IN SOCKETS** or these parts, **click here**.

**ATTENTION:** Abracon Corporation's products are COTS – Commercial-Off-The-Shelf products; suitable for Commercial, Industrial and, where designated, Automotive Applications. Abracon's products are not specifically designed for Military, Aviation, Aerospace, Life-dependant Medical applications or any application requiring high reliability where component failure could result in loss of life and/or property. For applications requiring high reliability and/or presenting an extreme operating environment, written consent and authorization from Abracon Corporation is required. Please contact Abracon Corporation for more information.

ABRACON IS  
ISO9001:2008  
CERTIFIED



Visit [www.abracon.com](http://www.abracon.com) for Terms & Conditions of Sale  
30332 Esperanza, Rancho Santa Margarita, California 92688  
tel 949-546-8000 | fax 949-546-8001 | [www.abracon.com](http://www.abracon.com)

Revised: 06.29.11